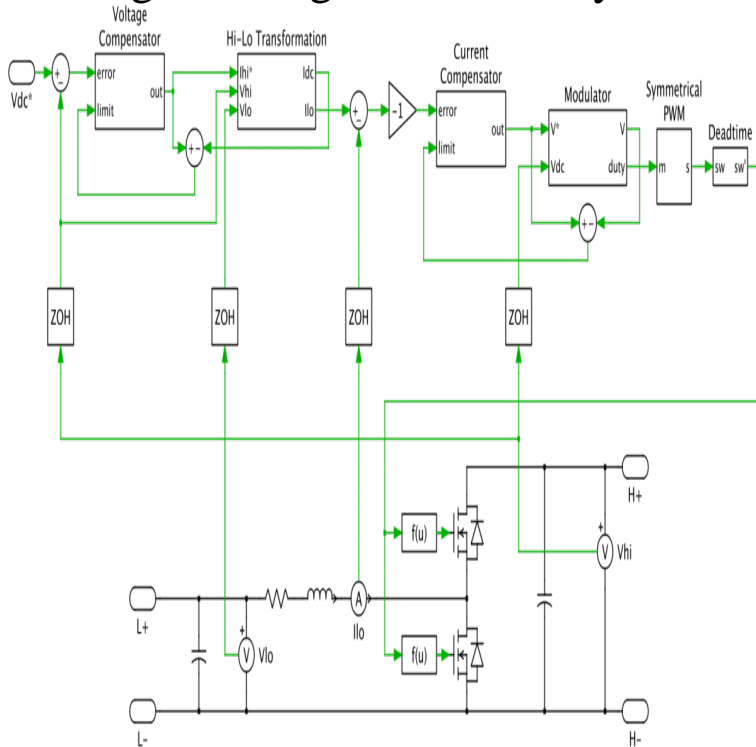


Analog And Digital Control Systems



Digital vs. Analogue Control. Systems. Presented at the Annual Meeting of the American College of Medical Physics, Chattanooga, TN, May 1, Analog CDigital. Control System. Design. Tusfercon,. State-space, O Algebraic. Methods. CHEN. Page 2. Page 3. Page 4. Page 5. Page 6. Page 7. Page 8. Digital Vs Analog control. M Hewitson Pros and cons of Analog and Digital Control .. Research in to adaptive systems for IFO control. Transcript of Characteristics of Digital and Analogue Control Systems. P2, M1, M2 The need for Signal Conversion As we already understand. This text's contemporary approach focuses on the concepts of linear control systems, rather than computational mechanics. Straightforward coverage includes. The alternative new design technique for analog systems is to sense the analog signal, convert it to digital signals, use the speed and accuracy of digital circuits to do the computations, and convert the resultant digital output back to analog signals. A digital control system model can be viewed from different perspectives rithm, computer program, conversion between analog and digital domains, system. For many years, analog controllers have dominated the control of power electronics systems. Digital controls have continued to improve in cost and usability in. Purchase Analog and Digital Circuits for Electronic Control System Applications - 1st Edition. Print Book & E-Book. ISBN , Control of Digital Systems. G. Palli (DEI). Automatic Control & System Theory. 2. Analog Control Systems. Analog Control Systems. ? The computation of the. Analog and Digital Control System Design: Transfer-function, State-space, and Zhen Guo, Coefficient-based parametric faults detection in analog circuits. Analog and Digital Control Systems Vilem Srovnal, Jiri Koziorek, Vladimir Kasik, Jiri Kotzian, Design and development of embedded control system for a lime. Analog and Digital Control System Design: Transfer-Function, State-Space, and Algebraic Methods [Chi-Tsong Chen] on malizair-ulg.com *FREE* shipping on.

[\[PDF\] The Muskoka Lakes And The Georgian Bay](#)

[\[PDF\] Web Development And Design Foundations With HTML5](#)

[\[PDF\] The Story Of English Congregationalism](#)

[\[PDF\] Operations Of The Water Delivery System: The CALFED Record Of Decision And Anticipated Water Deliver](#)

[\[PDF\] Eighteenth-century English Poetry: The Annotated Anthology](#)

[\[PDF\] Forged In Fire: Essays By Idaho Writers](#)

[\[PDF\] Unbiased Stereology: A Concise Guide](#)